

Scaled data based on original data using  
LM-79-08 Approved Method: Electrical and Photometric Measurements of Solid-State  
Lighting Products

Test Report Prepared for  
Cooper Lighting Solutions  
(formerly Eaton)

Brand: STREETWORKS

Report Number: P571707

Luminaire Tested: **UFLD-S-CA1-30-760-U-66-TS2LW\_NFFLD**

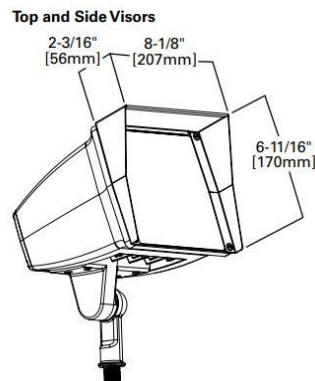
Issue Date: 9/21/2021

**Test Information**

Test Method: LM-79-08  
Report Number: P571707  
TEST IS SCALED FROM IESNA LM-79-08 TEST DATA (G2-2109-378-6)  
Test Lab: COOPER LIGHTING SOLUTIONS  
Issue Date: 9/21/2021  
Manufacturer: COOPER LIGHTING SOLUTIONS (FORMERLY EATON)  
Product Line: STREETWORKS  
Catalog Number: UFLD-S-CA1-30-760-U-66-TS2LW\_NFFLD  
Description: FLOOD LIGHT SMALL, 6x6 OPTIC WITH TOP AND SIDE VISOR  
Light Source: (1) 5700K CCT, 70 CRI LEDS  
Ballast/Driver: -

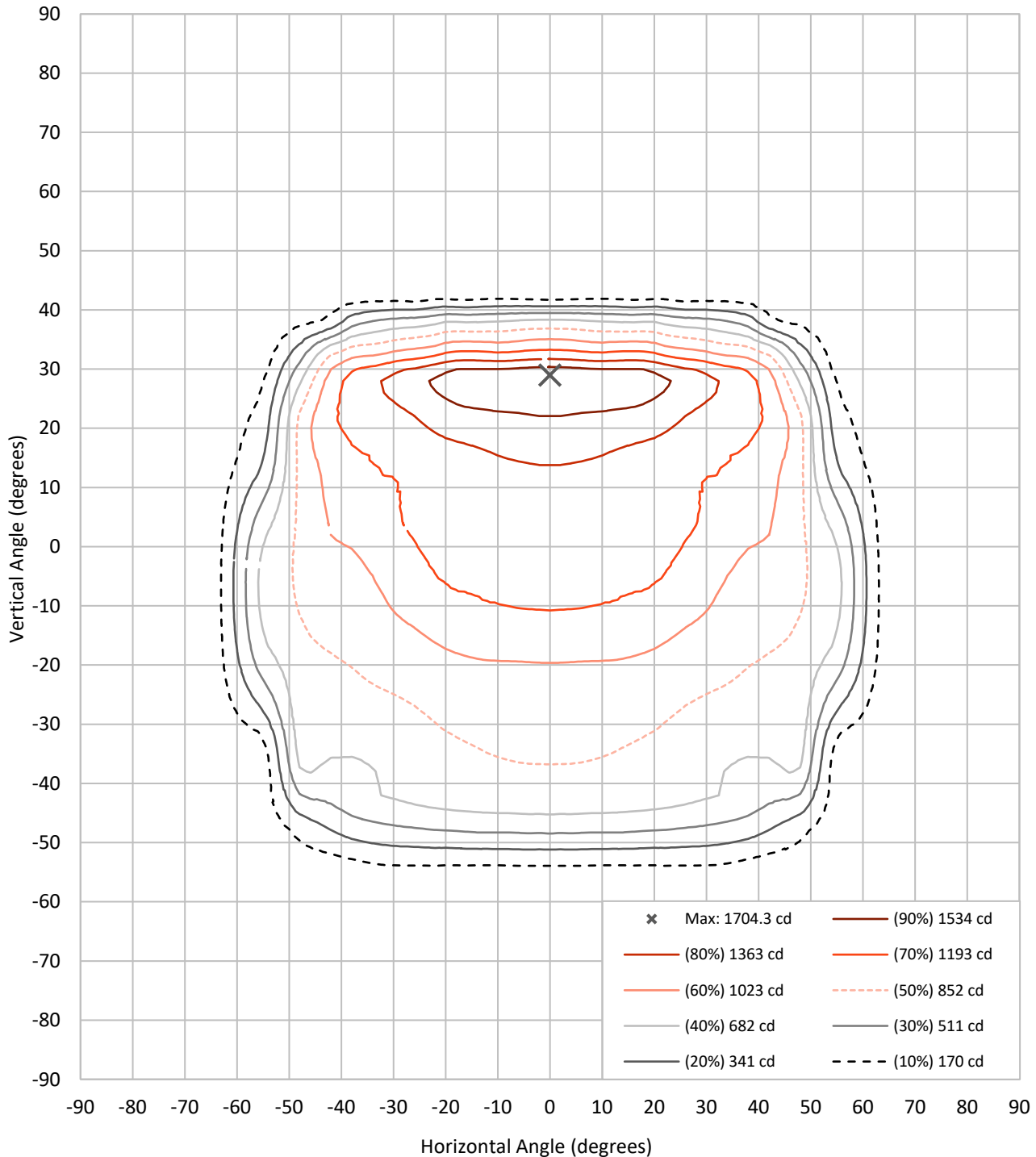
**Summary**

Lumens per Lamp:	N/A	NEMA Type:	6H x 5V
Luminaire Lumens:	2657 lumens	Max Intensity:	1704.3 candela
Efficiency:	N/A	Max Intensity Angle:	0°H x 29°V
Efficacy:	137.0 lumens/watt		
Luminous Opening:	Rectangular (W 0.67' x L: 0.5' x H: 0')		
Beam Angle (50%):	90.2°H x 73.7°V	Field Angle (10%):	108.6°H x 95.6°V
Beam Lumens:	1919.9 lumens	Field Lumens:	2585.2 lumens
Beam Efficiency:	72.3%	Field Efficiency:	97.3%
Input Watts (W):	19.4		
Input Voltage (V):	120		
Input Current (Ain):	NR		
Voltage Rise (V):	NR		
Power Factor:	NR		
Total Harmonic Distortion (THDi):	NR		
Frequency (hertz):	60		
Stabilization Time:	NR		
Operation Time:	NR		
Ambient Temperature (°C):	NR		
Test Distance:	25 FT		



REPORT NUMBER: P571707  
CATALOG NUMBER: UFLD-S-CA1-30-760-U-66-TS2LW\_NFFLD

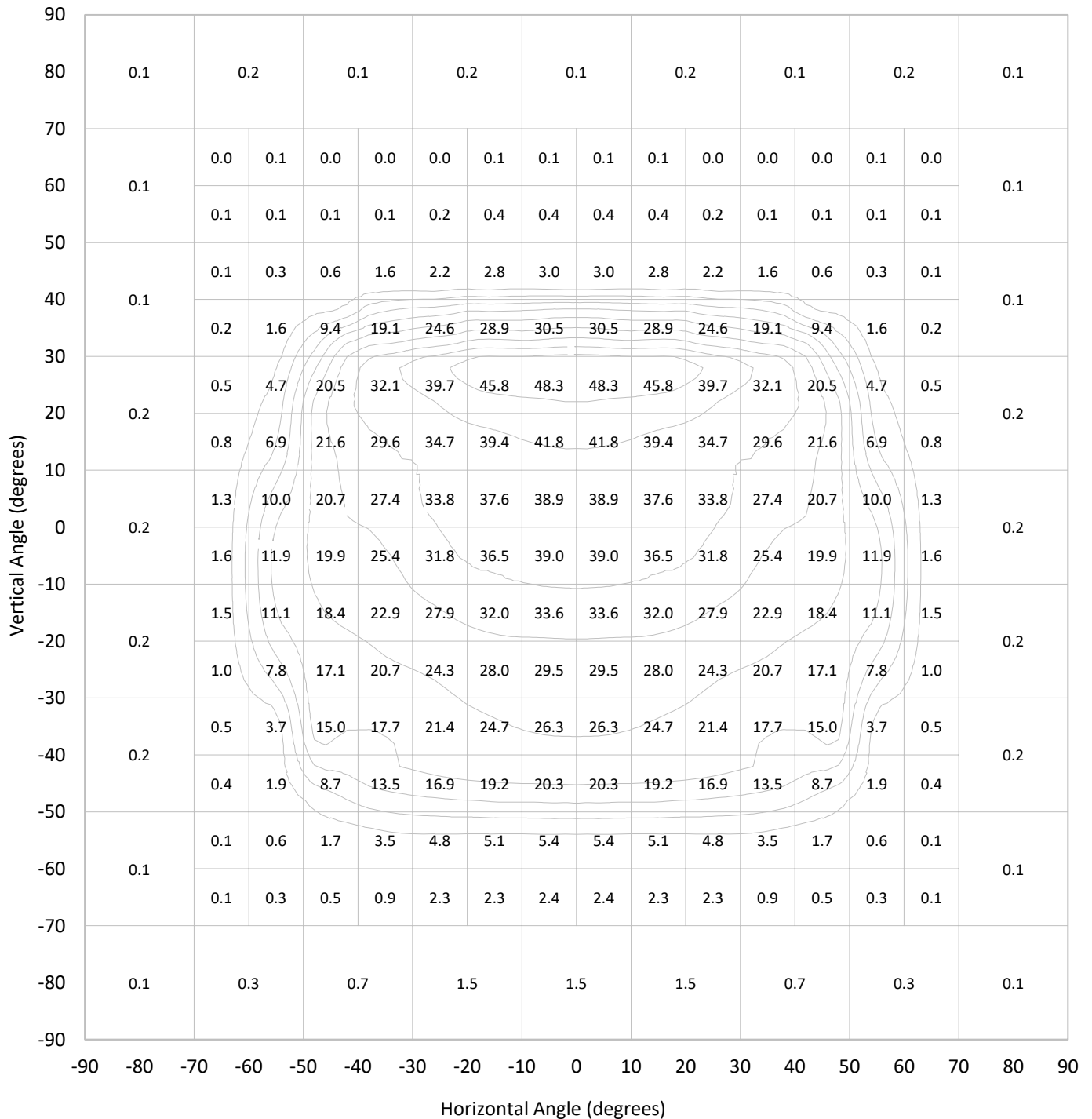
### Iso-Candela Plot





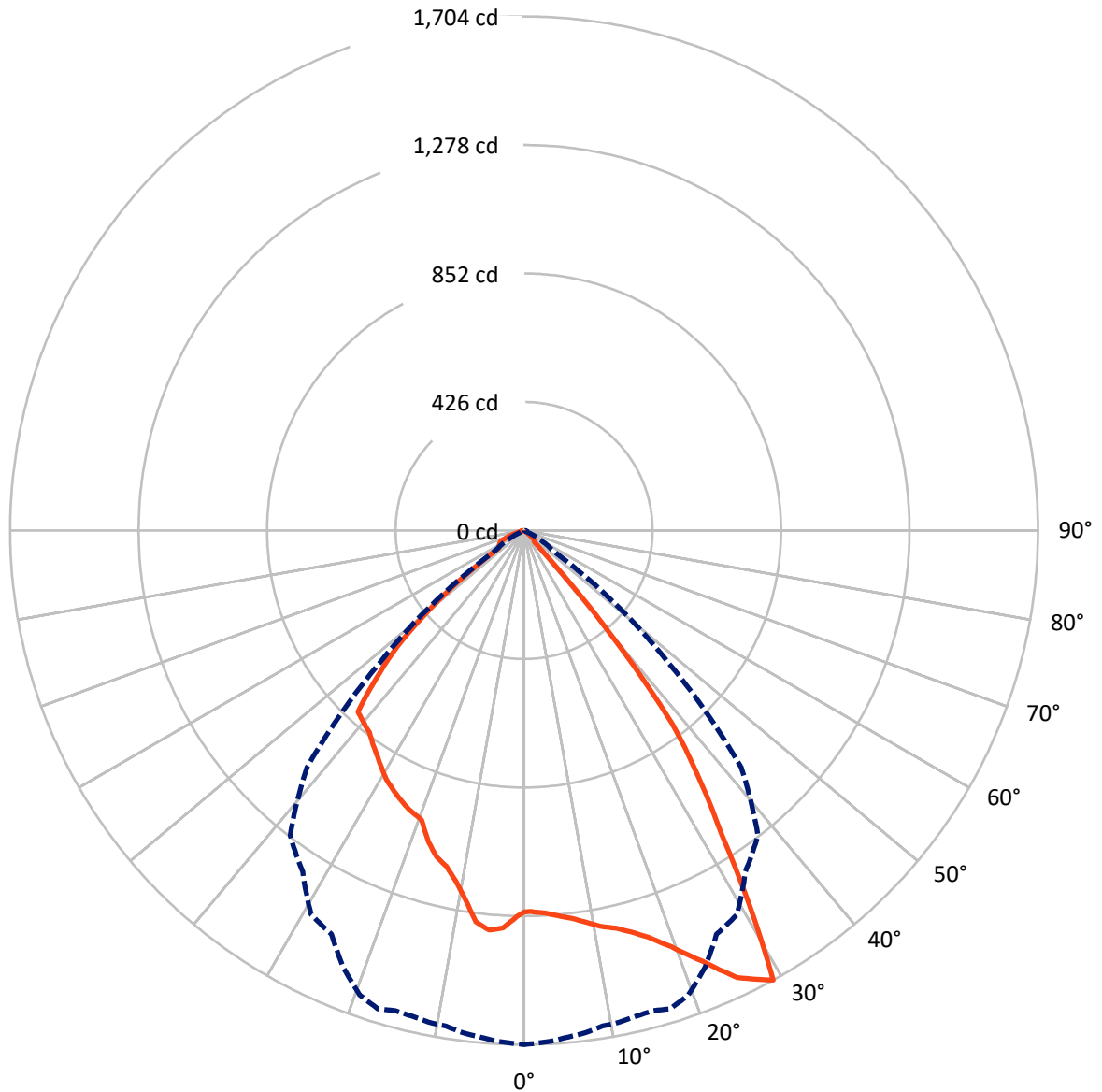
REPORT NUMBER: P571707  
 CATALOG NUMBER: UFLD-S-CA1-30-760-U-66-TS2LW\_NFFLD

### Lumen Table



REPORT NUMBER: P571707  
CATALOG NUMBER: UFLD-S-CA1-30-760-U-66-TS2LW\_NFFLD

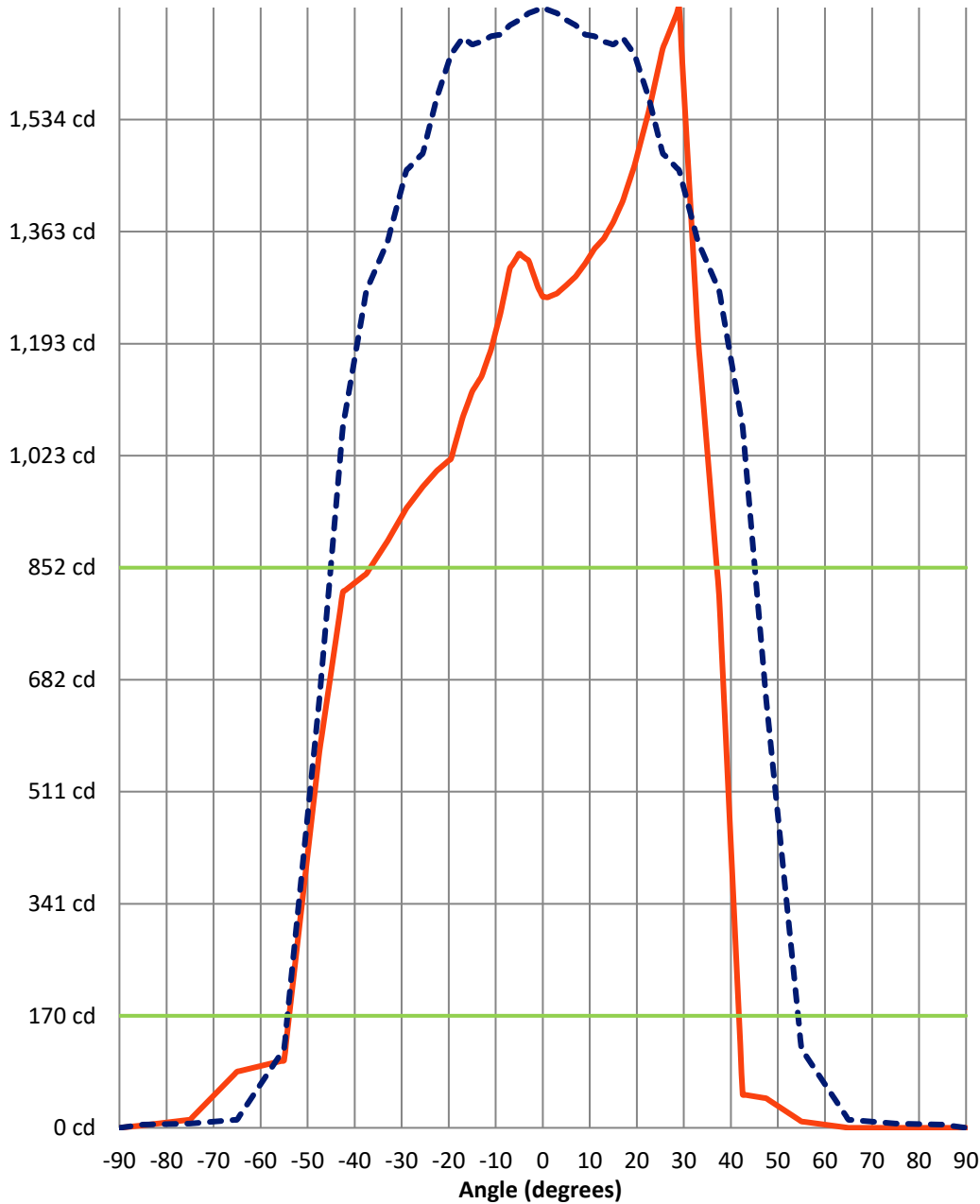
### Luminous Intensity Polar Plot



— Vertical Distribution Through 0-Deg      - - - Horizontal Distribution Through 29-Deg

REPORT NUMBER: P571707  
 CATALOG NUMBER: UFLD-S-CA1-30-760-U-66-TS2LW\_NFFLD

### Luminous Intensity Plot



**Beam:**  
 H Angle: 90.2°  
 V Angle: 73.7°  
 Lumens: 1919.9  
 Efficiency: 72.3%

**Field:**  
 H Angle: 108.6°  
 V Angle: 95.6°  
 Lumens: 2585.2  
 Efficiency: 97.3%

**Spill:**  
 Lumens: 71.8  
 Efficiency: 2.7%

— Vertical Distribution through 0-Deg  
 - - - Horizontal Distribution through 29-Deg



REPORT NUMBER: P571707  
 CATALOG NUMBER: UFLD-S-CA1-30-760-U-66-TS2LW\_NFFLD

FIELD  
 BEAM

**CANDELA DISTRIBUTION:**

	0°	1°	3°	5°	7°	9°	11°	13°	15°	17°	19.5°
90°	0.0	0.0	0.0	0.0	0.0	0.0	0.0	0.0	0.0	0.0	0.0
85°	0.0	0.5	1.6	1.6	1.6	1.6	2.2	2.2	2.2	2.2	2.2
75°	0.0	0.5	0.5	1.1	1.6	1.6	1.6	1.6	1.6	1.6	1.1
65°	0.0	0.0	0.5	0.5	1.1	1.1	1.1	1.1	1.1	1.1	1.1
55°	9.7	9.7	9.7	9.7	9.7	9.7	10.3	9.7	9.2	9.2	9.2
47.5°	44.9	44.9	44.9	42.7	41.1	40.5	39.4	37.3	36.2	37.3	36.2
42.5°	50.8	51.9	59.4	70.8	80.5	88.1	88.1	81.1	63.8	53.0	85.4
37.5°	808.9	801.9	812.2	791.6	778.1	758.1	752.2	744.1	736.5	745.2	756.5
33°	1203.4	1190.4	1204.0	1175.9	1166.7	1147.8	1158.6	1181.8	1187.2	1190.4	1165.6
29°	1704.3	1701.1	1695.7	1685.4	1677.3	1663.3	1660.6	1652.5	1648.1	1658.4	1633.0
25.5°	1641.7	1643.3	1636.3	1629.2	1620.6	1623.3	1616.3	1609.2	1601.7	1586.0	1554.7
22.5°	1545.5	1549.3	1542.2	1532.0	1525.5	1523.9	1516.8	1508.7	1501.7	1496.3	1475.2
19.5°	1463.9	1465.5	1462.8	1457.4	1452.5	1446.6	1435.8	1423.9	1413.1	1410.4	1400.7
17°	1409.8	1411.5	1409.3	1405.0	1400.1	1391.5	1381.2	1367.7	1356.9	1348.2	1333.6
15°	1378.0	1379.0	1377.4	1373.1	1367.1	1360.7	1352.6	1341.8	1329.9	1316.9	1299.1
13°	1353.1	1354.2	1352.6	1347.7	1342.3	1335.8	1328.8	1319.6	1309.3	1298.0	1282.9
11°	1337.4	1338.0	1335.3	1331.5	1325.5	1319.1	1311.5	1301.2	1293.7	1287.2	1278.5
9°	1314.7	1315.3	1314.2	1310.9	1308.2	1301.8	1295.8	1287.7	1281.8	1279.6	1276.9
7°	1295.3	1295.8	1295.8	1292.0	1289.3	1285.0	1280.1	1273.7	1270.4	1272.0	1274.7
5°	1281.8	1282.9	1282.3	1279.1	1276.9	1274.2	1271.5	1267.2	1263.4	1269.3	1276.9
3°	1269.3	1269.3	1270.4	1268.8	1268.3	1268.8	1269.3	1267.7	1266.6	1274.7	1285.0
1°	1263.4	1263.4	1265.6	1266.1	1267.7	1271.0	1277.4	1281.8	1282.9	1280.1	1316.4
0°	1264.5	1264.5	1267.7	1272.0	1276.9	1283.9	1289.3	1292.0	1289.3	1279.6	1382.8
-1°	1278.5	1276.9	1279.1	1286.6	1292.0	1298.5	1300.1	1298.0	1290.4	1276.4	1294.2
-3°	1319.1	1320.1	1319.6	1320.7	1320.7	1319.1	1310.4	1294.7	1278.0	1259.1	1243.9
-5°	1329.9	1333.1	1329.9	1326.1	1322.8	1308.8	1292.6	1269.9	1239.6	1221.8	1206.7
-7°	1307.2	1302.3	1299.6	1291.5	1280.7	1259.1	1238.5	1215.3	1198.6	1193.7	1189.9
-9°	1239.1	1235.3	1233.7	1229.9	1222.9	1207.7	1199.1	1189.9	1184.0	1184.0	1179.6
-11°	1184.0	1181.8	1180.7	1176.9	1175.9	1168.8	1167.8	1164.5	1159.6	1159.6	1152.1
-13°	1143.4	1143.4	1143.4	1141.8	1138.0	1135.3	1134.8	1132.1	1126.1	1124.0	1112.6
-15°	1120.2	1120.7	1118.6	1116.4	1111.6	1108.3	1105.1	1100.7	1093.2	1087.2	1072.6
-17°	1081.3	1078.6	1080.8	1076.4	1076.4	1073.2	1072.1	1069.9	1062.4	1053.7	1035.9
-19.5°	1018.1	1018.6	1017.5	1014.3	1012.7	1012.1	1011.6	1008.3	1000.2	991.0	977.0
-22.5°	999.7	999.2	997.5	995.4	993.7	992.1	992.7	991.0	983.5	974.3	960.2
-25.5°	975.4	974.8	973.2	970.5	967.3	964.0	965.1	962.9	957.0	949.4	937.6
-29°	942.4	940.8	939.2	937.0	931.6	923.5	917.6	912.7	906.2	900.3	886.8
-33°	892.7	892.2	892.2	890.0	885.1	878.6	871.6	864.6	855.4	846.2	830.6
-37.5°	843.0	843.0	843.0	841.9	839.7	836.5	832.7	826.2	817.0	806.2	791.6
-42.5°	814.9	814.3	814.9	812.2	808.9	804.6	801.4	795.4	788.4	783.0	774.4
-47.5°	571.7	563.1	567.9	569.0	558.7	561.4	560.4	560.9	557.1	546.9	537.7
-55°	102.7	102.7	103.8	105.4	104.3	101.6	98.3	98.3	102.1	103.8	101.6
-65°	85.4	85.4	85.4	84.8	84.8	84.3	84.3	84.3	84.3	84.3	87.0
-75°	12.4	11.9	12.4	12.4	11.3	11.9	13.5	13.5	13.5	13.5	13.5
-85°	3.8	3.8	3.8	5.4	5.9	6.5	6.5	7.0	7.0	6.5	6.5
-90°	0.0	0.0	0.0	0.0	0.0	0.0	0.0	0.0	0.0	0.0	0.0



REPORT NUMBER: P571707

CATALOG NUMBER: UFLD-S-CA1-30-760-U-66-TS2LW\_NFFLD

**CANDELA DISTRIBUTION (continued):**

	22.5°	25.5°	29°	33°	37.5°	42.5°	47.5°	55°	65°	75°	85°
90°	0.0	0.0	0.0	0.0	0.0	0.0	0.0	0.0	0.0	0.0	0.0
85°	2.2	2.2	2.2	1.6	1.6	2.2	2.2	2.7	3.8	4.3	4.3
75°	1.1	1.1	1.1	1.1	1.6	2.2	2.2	2.7	3.8	4.3	4.9
65°	1.1	1.1	1.1	1.1	1.1	1.6	2.2	3.2	3.8	4.3	4.9
55°	8.1	5.9	4.3	4.9	5.9	4.3	3.2	3.8	4.3	4.9	4.9
47.5°	29.2	17.8	11.3	10.3	11.3	8.6	7.0	7.0	9.2	4.9	4.9
42.5°	82.7	31.3	57.3	62.7	54.0	17.3	24.3	18.9	10.8	5.4	4.9
37.5°	691.1	657.6	639.8	591.7	506.9	211.8	155.1	25.9	11.3	5.4	4.9
33°	1087.8	1060.2	1025.6	955.9	947.3	804.6	438.8	53.5	11.3	5.9	4.9
29°	1567.6	1482.8	1456.3	1348.2	1273.7	1066.2	651.7	120.0	12.4	6.5	4.9
25.5°	1511.4	1459.6	1401.7	1342.8	1280.7	1126.1	798.1	174.5	14.0	6.5	4.9
22.5°	1429.8	1378.0	1328.8	1285.6	1249.9	1164.5	913.2	216.7	16.2	6.5	4.9
19.5°	1364.4	1319.1	1274.2	1232.6	1215.8	1167.2	951.6	250.2	19.5	6.5	4.9
17°	1300.7	1265.0	1232.6	1204.0	1198.0	1134.2	946.2	279.4	24.9	7.0	4.9
15°	1265.6	1231.0	1207.7	1196.4	1184.5	1093.2	939.2	308.0	28.1	7.0	4.9
13°	1247.2	1212.1	1195.8	1199.6	1161.8	1065.1	929.4	353.4	31.3	7.0	4.9
11°	1245.0	1206.1	1195.3	1184.0	1134.8	1055.4	922.4	408.5	33.0	7.0	4.9
9°	1251.5	1216.9	1194.2	1153.7	1111.6	1052.1	917.6	472.3	33.5	7.6	5.4
7°	1256.9	1223.9	1193.1	1126.7	1087.8	1043.5	909.5	531.2	32.4	7.6	5.4
5°	1265.0	1229.4	1190.4	1105.6	1068.3	1033.7	902.4	590.6	30.8	7.6	5.4
3°	1263.4	1218.5	1180.2	1085.6	1052.1	1026.2	897.0	642.5	30.3	7.6	5.4
1°	1251.0	1199.6	1156.9	1070.5	1035.4	1014.8	894.3	686.3	30.3	8.1	5.4
0°	1243.9	1188.8	1142.9	1063.5	1026.7	1009.4	893.2	705.7	29.7	8.1	5.4
-1°	1232.1	1174.8	1134.2	1057.0	1019.1	1001.9	891.1	720.3	29.7	8.1	5.4
-3°	1202.9	1152.1	1119.1	1042.9	1006.2	989.4	889.5	739.8	30.3	8.1	5.4
-5°	1181.3	1142.4	1106.7	1030.5	996.5	976.5	885.1	749.5	30.8	8.1	5.4
-7°	1172.1	1132.6	1092.6	1014.3	981.3	960.2	880.3	751.1	30.8	8.1	5.4
-9°	1158.6	1115.9	1071.0	993.7	962.4	940.3	875.4	746.3	31.3	8.6	5.4
-11°	1127.2	1081.8	1037.5	972.1	941.3	915.4	863.5	737.6	31.3	8.6	5.4
-13°	1085.6	1041.8	1001.3	947.8	920.3	894.3	852.2	720.3	31.3	8.6	5.4
-15°	1042.9	1001.3	967.3	926.7	902.4	875.9	841.9	693.8	31.3	8.6	5.4
-17°	1002.4	961.3	933.2	905.1	884.1	858.1	830.0	659.3	31.9	8.6	5.4
-19.5°	948.4	915.9	895.9	879.2	860.3	836.5	817.6	605.2	31.3	8.1	5.4
-22.5°	928.4	897.0	879.2	862.4	841.9	818.1	808.9	517.7	29.7	8.1	5.4
-25.5°	903.0	870.5	850.6	836.5	825.2	802.5	807.3	413.4	28.6	8.1	5.4
-29°	856.0	829.5	809.5	794.4	784.6	780.3	811.1	277.8	29.7	7.6	5.4
-33°	806.8	782.5	757.1	733.8	718.7	728.4	800.8	109.2	30.8	7.6	5.4
-37.5°	772.2	749.0	720.3	685.2	652.2	650.6	732.2	56.2	31.9	7.6	5.4
-42.5°	752.2	734.9	706.3	676.5	631.7	540.4	511.7	69.7	30.8	7.0	5.4
-47.5°	532.3	517.7	503.6	480.4	444.2	347.5	232.9	46.5	24.3	5.9	4.9
-55°	109.7	108.6	112.4	107.0	64.3	34.6	47.6	20.5	7.6	5.9	4.9
-65°	95.6	105.4	79.4	43.2	14.6	18.4	26.5	15.7	5.9	5.4	4.9
-75°	13.0	12.4	9.2	9.2	10.3	9.7	7.0	4.9	4.9	4.9	4.9
-85°	5.9	5.4	5.4	4.9	4.9	4.3	4.3	3.8	4.3	4.9	4.9
-90°	0.0	0.0	0.0	0.0	0.0	0.0	0.0	0.0	0.0	0.0	0.0





REPORT NUMBER: P571707  
CATALOG NUMBER: UFLD-S-CA1-30-760-U-66-TS2LW\_NFFLD

**CANDELA DISTRIBUTION (continued):**

	90°
90°	0.0
85°	0.0
75°	0.0
65°	0.0
55°	0.0
47.5°	0.0
42.5°	0.0
37.5°	0.0
33°	0.0
29°	0.0
25.5°	0.0
22.5°	0.0
19.5°	0.0
17°	0.0
15°	0.0
13°	0.0
11°	0.0
9°	0.0
7°	0.0
5°	0.0
3°	0.0
1°	0.0
0°	0.0
-1°	0.0
-3°	0.0
-5°	0.0
-7°	0.0
-9°	0.0
-11°	0.0
-13°	0.0
-15°	0.0
-17°	0.0
-19.5°	0.0
-22.5°	0.0
-25.5°	0.0
-29°	0.0
-33°	0.0
-37.5°	0.0
-42.5°	0.0
-47.5°	0.0
-55°	0.0
-65°	0.0
-75°	0.0
-85°	0.0
-90°	0.0

(END OF REPORT)